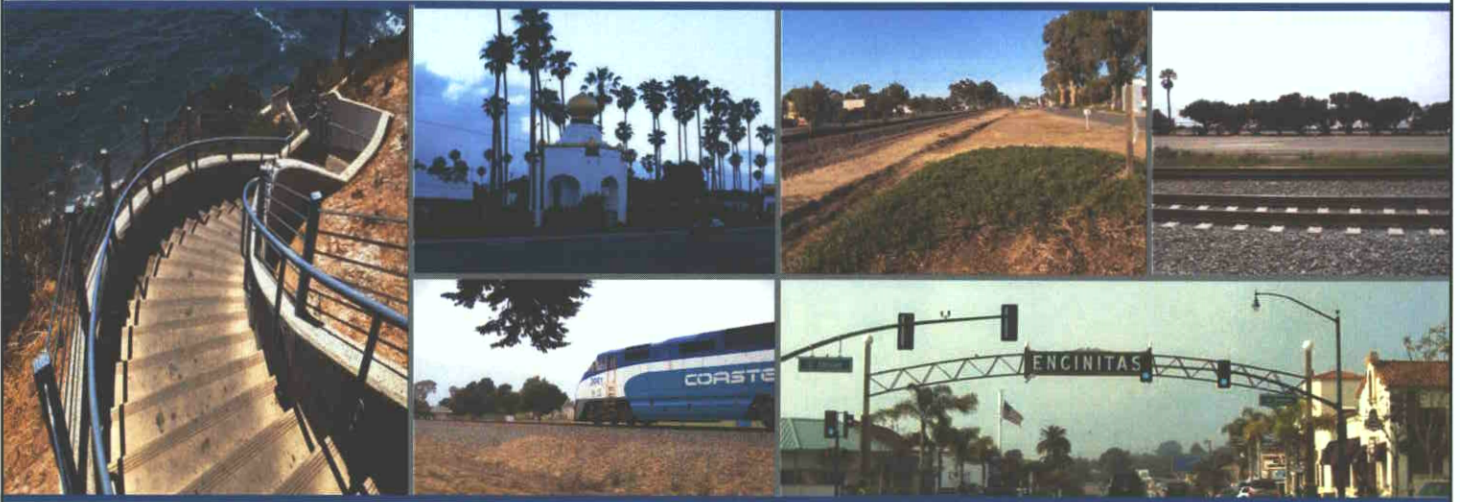


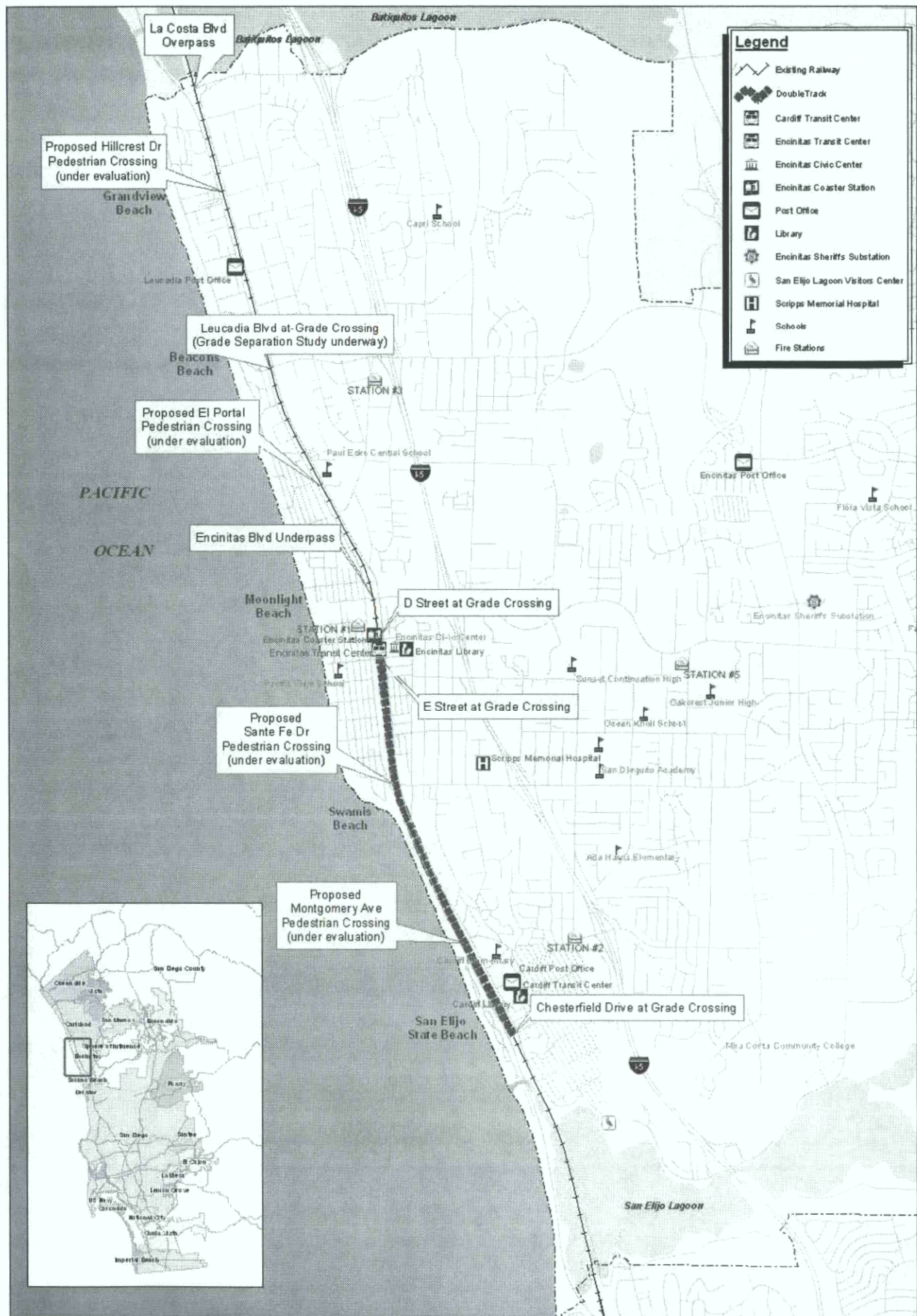
# Encinitas Grade Separated Pedestrian Crossings



## Encinitas Staff Advisory Committee Meeting

June 7, 2006

**TYLIN**INTERNATIONAL



**Legend**

- Existing Railway
- DoubleTrack
- Cardiff Transit Center
- Encinitas Transit Center
- Encinitas Civic Center
- Encinitas Coaster Station
- Post Office
- Library
- Encinitas Sheriff's Substation
- San Elijo Lagoon Visitors Center
- Scripps Memorial Hospital
- School
- Fire Stations



**Encinitas Rail Corridor**



Stateplane NAD83 feet, CA Zone 6  
 Plot Date: April 20, 2005  
 ...Requests05/cm/at grade crossing.mxd

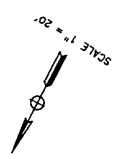
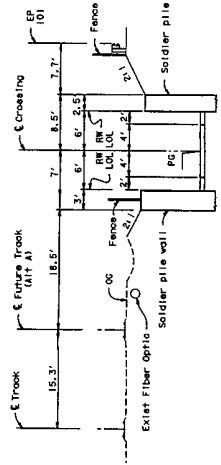
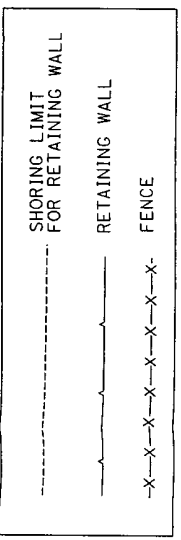
**DISCLAIMER:**  
 Every reasonable effort has been made to assure the accuracy of the data provided, nevertheless, some information may not be accurate. The City of Encinitas assumes no responsibility arising from the use of this information.





MONTGOMERY AVENUE





SAN ELIJO AVE

FUTURE COASTAL RAIL TRAIL

BERM

PROPOSED PUMP STATION

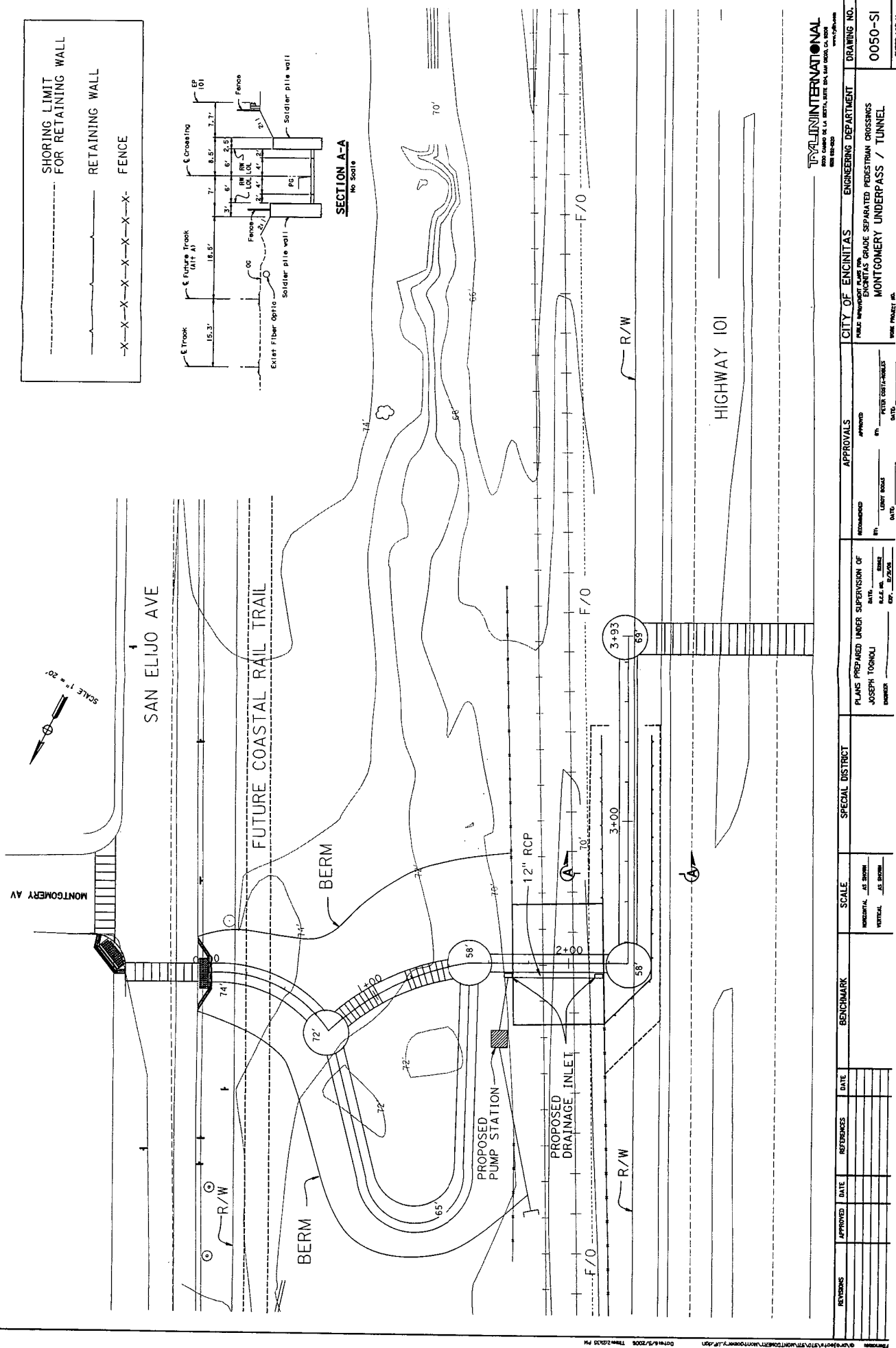
PROPOSED DRAINAGE INLET

R/W

R/W

R/W

HIGHWAY 101



**TEAL INTERNATIONAL**  
 8000 CAMINO DE LA BENTA, SUITE 200 SAN DIEGO, CA 92108  
 (619) 444-1234

**CITY OF ENCINITAS**  
 ENGINEERING DEPARTMENT  
 PUBLIC WORKS DIVISION  
 ENCINITAS GRADE SEPARATED PEDESTRIAN CROSSINGS  
 MONTGOMERY UNDERPASS / TUNNEL  
 WORK PROJECT No.

**APPROVALS**  
 APPROVED BY: [Signature] DATE: [ ]/[ ]/[ ]  
 CHECKED BY: [Signature] DATE: [ ]/[ ]/[ ]

PLANS PREPARED UNDER SUPERVISION OF  
**JOSEPH TORNOLI**  
 ENGINEER  
 DATE: [ ]/[ ]/[ ]  
 EXPIRES: [ ]/[ ]/[ ]

**SPECIAL DISTRICT**

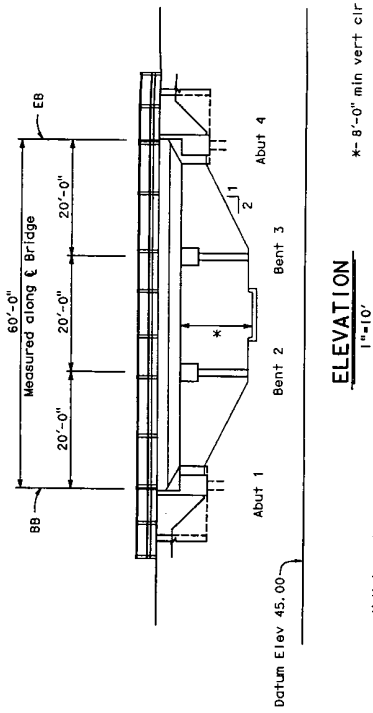
**SCALE**  
 HORIZONTAL: AS SHOWN  
 VERTICAL: AS SHOWN

**BENCHMARK**

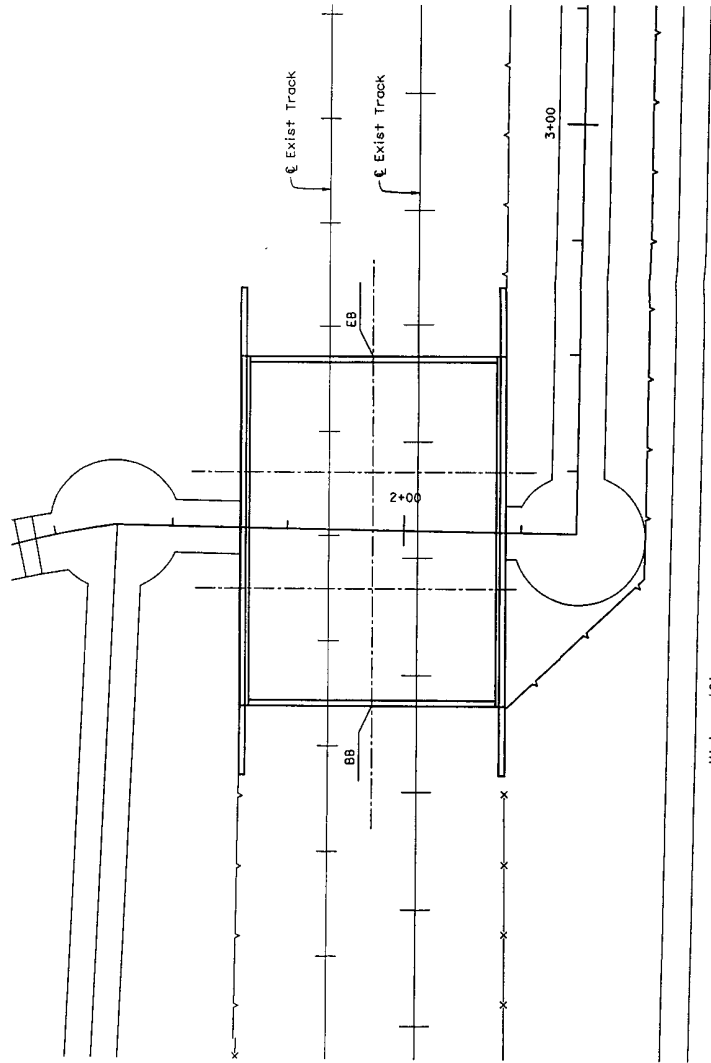
REVISIONS	APPROVED / DATE	REFERENCES	DATE

**DRAWING NO.**  
 0050-SI  
**SHEET TOP 14**

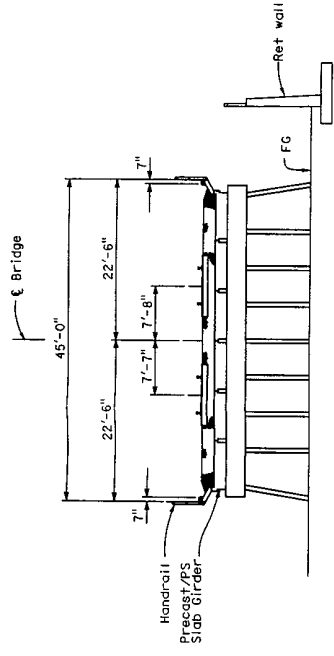




**ELEVATION**  
1"=10'



**PLAN**  
1"=10'



**TYPICAL SECTION**  
1/8"=1'-0"

REVIEWS	APPROVED	DATE	REFERENCES	DATE

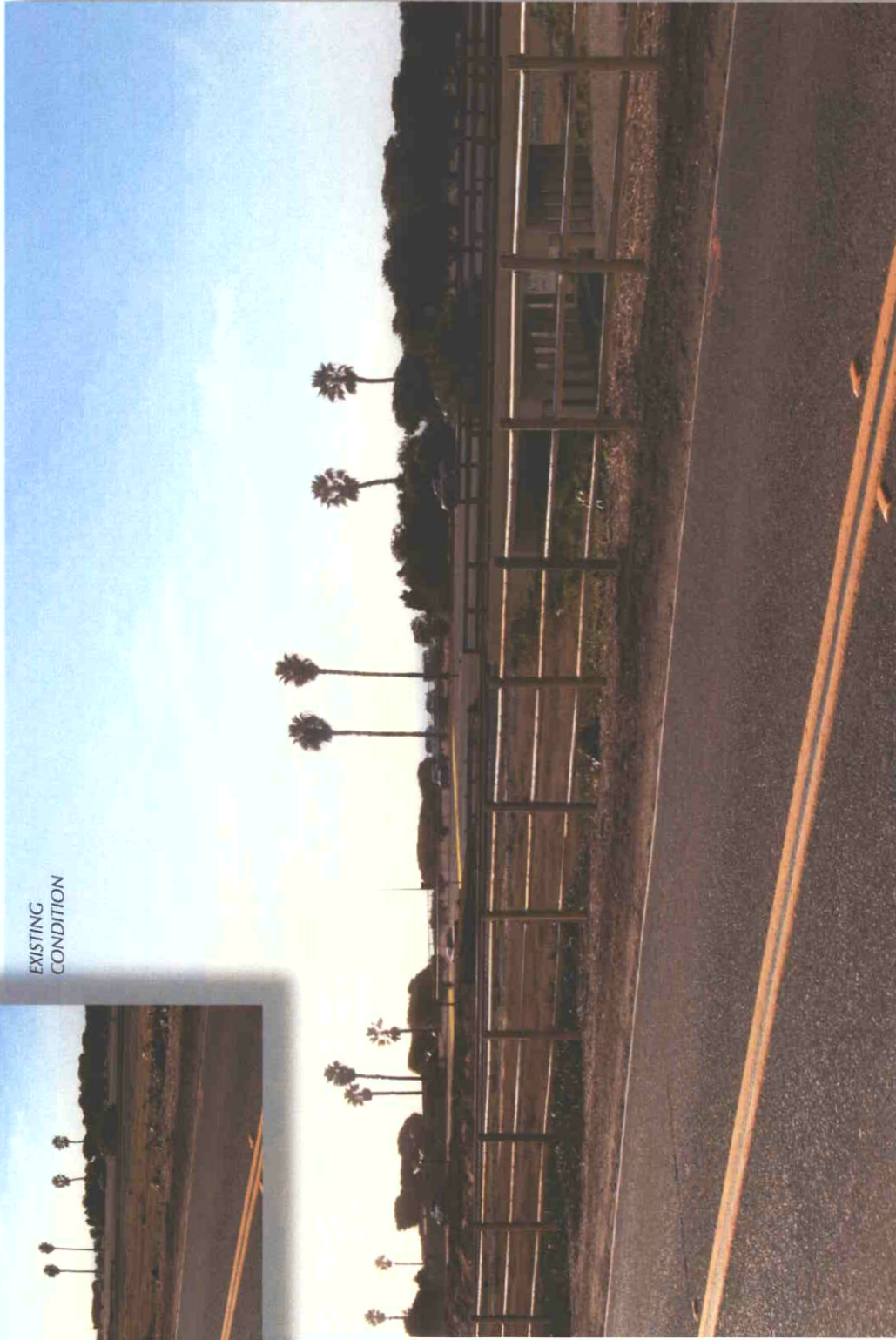
BENCHMARK	SCALE	SPECIAL DISTRICT	PLANS PREPARED UNDER SUPERVISION OF	RECOMMENDED	APPROVALS	CITY OF ENCINITAS	ENGINEERING DEPARTMENT	DRAWING NO.
	HORIZONTAL AS SHOWN VERTICAL AS SHOWN		JOSEPH TONKALI	BY: _____ DATE: _____	BY: _____ DATE: _____	FIELD ENGINEER	ENCINITAS GRADE SEPARATED PEDESTRIAN CROSSINGS	0050-SI
			OWNER	DATE: 02/20/08	DATE: _____		MONTEGOMERY UNDERPASS	
							ADVANCE PLANNING STUDY	

**TYLINTNINTERNATIONAL**  
2002 CAMINO DE LA SIERRA, SUITE 200, SAN DIEGO, CA 92108  
619-444-2500  
www.tylin.com





EXISTING  
CONDITION



*SIMULATED VIEW*  
Note: Some foreground detail removed for clarity.

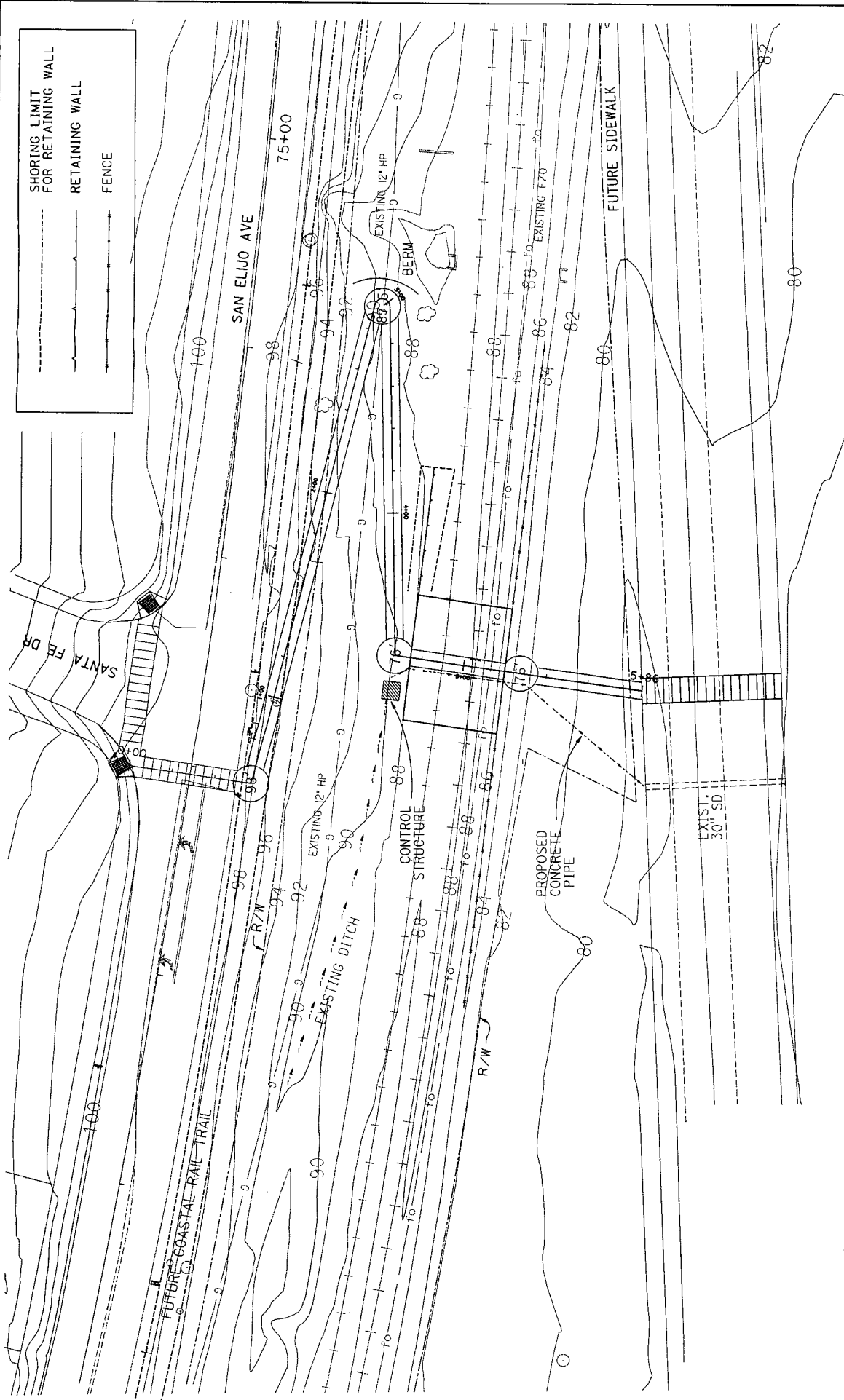
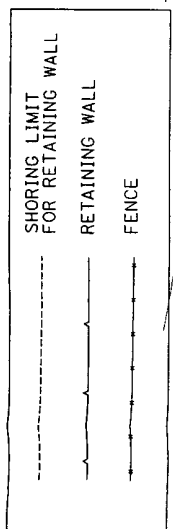
## Montgomery - Simulation

Encinitas Grade Separated Undercrossing



SANTA FE DRIVE

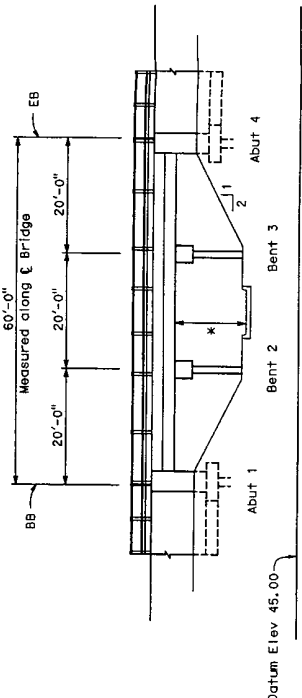




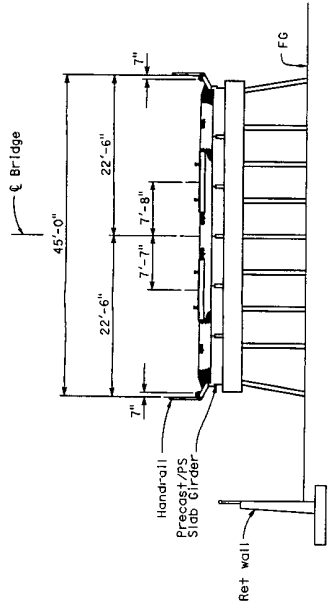
SCALE 1"=20'

**TYLINTERNATIONAL**  
 1000 CAMEL BE LA, SUITE 200, SAN JOSE, CA 95128  
 408-982-1800

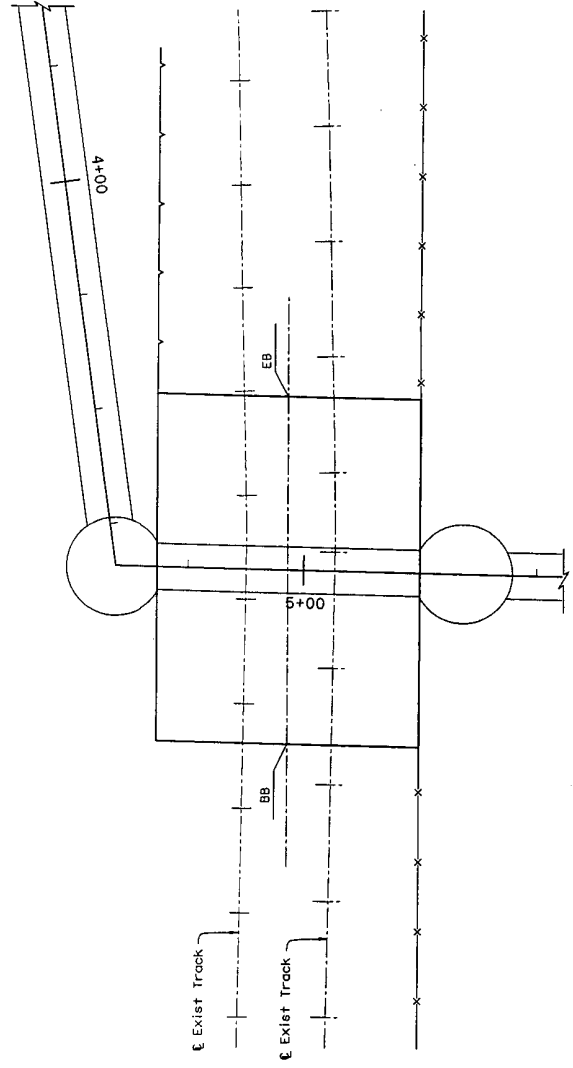
REVISIONS	APPROVED	DATE	REFERENCES	DATE	BENCHMARK	SCALE	SPECIAL DISTRICT	PLANS PREPARED UNDER SUPERVISION OF JOSEPH TOROOLI ENGINEER	RECOMMENDED BY: _____ DATE: _____	APPROVED BY: _____ DATE: _____	CITY OF ENCINITAS PUBLIC WORKS DEPARTMENT ENGINEERING DEPARTMENT	DRAWING NO. 0050-SI	SHEET TOP 14
						HORIZONTAL AS SHOWN VERTICAL AS SHOWN		PLANS PREPARED UNDER SUPERVISION OF DATE: 8.24.06 SHEET NO. 0050-SI DATE: 8/23/06	RECOMMENDED BY: _____ DATE: _____	APPROVED BY: _____ DATE: _____	CITY OF ENCINITAS ENGINEERING DEPARTMENT ENCINITAS GRADE SEPARATED PEDESTRIAN CROSSINGS SANTA FE UNDERPASS / TUNNEL	0050-SI	8



**ELEVATION**  
1"=10'



**TYPICAL SECTION**  
1/4"=1'-0"



**PLAN**  
1"=10'

**TYLINTINTERNATIONAL**  
3000 CAMP DE LA BETA, SUITE 200, SAN DIEGO, CA 92108  
619-444-1100  
www.tylin.com

REVISIONS	DATE	REFERENCES	DATE	APPROVED	BENCHMARK	SCALE	SPECIAL DISTRICT	APPROVALS	CITY OF ENCINITAS	ENGINEERING DEPARTMENT	DRAWING NO.
						HORIZONTAL AS SHOWN VERTICAL AS SHOWN		RECOMMENDED BY: _____ DATE: _____	CITY OF ENCINITAS	ENGINEERING DEPARTMENT	0050-SI
								APPROVED BY: _____ DATE: _____	CITY OF ENCINITAS	ENGINEERING DEPARTMENT	0050-SI
								PLANS PREPARED UNDER SUPERVISION OF JOSEPH TOGNOLI ENGINEER DATE: _____ BY: _____ CHECKED BY: _____ DATE: _____	CITY OF ENCINITAS	ENGINEERING DEPARTMENT	0050-SI
								FOR THE CITY OF ENCINITAS PUBLIC IMPROVEMENT PLAN FOR THE ENCINITAS STATE UNDERPASS ADVANCE PLANNING STUDY	CITY OF ENCINITAS	ENGINEERING DEPARTMENT	0050-SI
									CITY OF ENCINITAS	ENGINEERING DEPARTMENT	0050-SI



**PRELIMINARY PLANT LEGEND:**

**SHRUBS & GROUNDCOVER (SANTA FE DR.)**

- Bougainvillea '96 Jai' / Bougainvillea
- Bougainvillea '96 Jai' / Bougainvillea
- Bougainvillea '96 Jai' / Bougainvillea
- Bougainvillea '96 Jai' / Bougainvillea
- Bougainvillea '96 Jai' / Bougainvillea
- Bougainvillea '96 Jai' / Bougainvillea
- Bougainvillea '96 Jai' / Bougainvillea
- Bougainvillea '96 Jai' / Bougainvillea
- Bougainvillea '96 Jai' / Bougainvillea
- Bougainvillea '96 Jai' / Bougainvillea

**SHRUBS & GROUNDCOVER (HWY 101)**

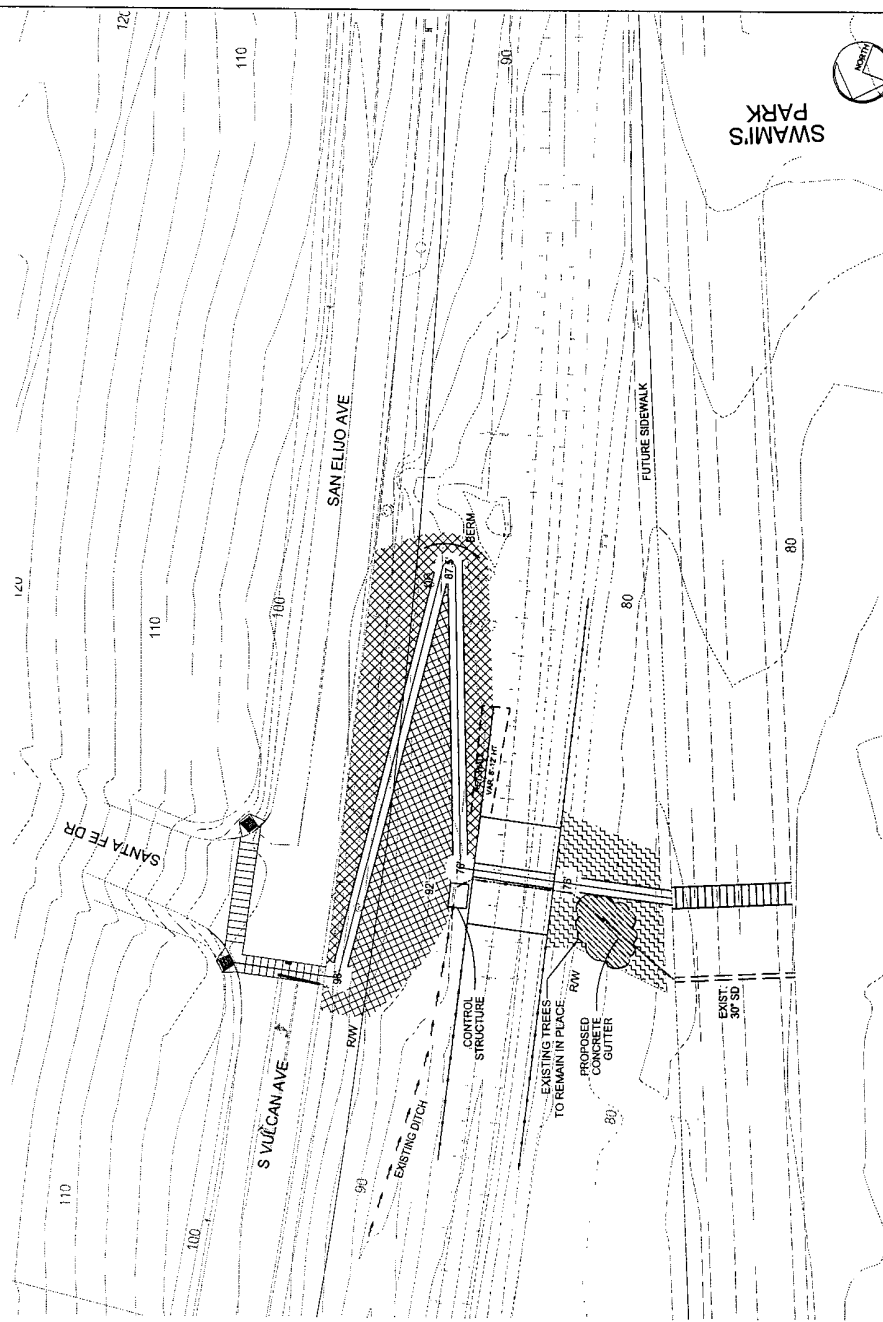
- Callistemon viminalis / Little John /
- Prostrata Bottle Brush
- Canthocheilus / Yareka Point California Barc
- Crataegus spp. / Rockrose species & varietals
- Grevillea noelii / Noel's Woolly Grevillea
- Hemerocallis spp. / Hemerocallis species
- Hemerocallis spp. / Hemerocallis species
- Hemerocallis spp. / Hemerocallis species
- Hemerocallis spp. / Hemerocallis species
- Hemerocallis spp. / Hemerocallis species

**NOTES:**

1. Plant palette for east side of railroad tracks integrates plant material specified for "The Santa Fe Drive Improvements."
2. Plant palette for west side of railroad tracks integrates plant material proposed for the "South Coast Highway 101 Streetscape Phase II F. St. to Swann's Park."

**THEME:**

The Ssa. Art, design and plantings for this crossing will be themed around the sea which is a strong influence on the identity of this part of Encinitas.



**SCHMIDT DESIGN GROUP, INC.**  
 1145 ENCINITAS AVENUE, SUITE 100  
 ENCINITAS, CA 92024  
 TEL: (760) 941-1111  
 WWW.SCHMIDTDG.COM

**TYLIN INTERNATIONAL**  
 1145 ENCINITAS AVENUE, SUITE 100  
 ENCINITAS, CA 92024  
 TEL: (760) 941-1111  
 WWW.TYLIN.COM

SCALE: 1"=30'-0"

CITY OF ENCINITAS ENGINEERING DEPARTMENT   DRAWING NO. 0050-SI		LANDSCAPE CONCEPT PLAN		SHEET # OF 14	
APPROVALS		RECOMMENDED		DATE	
APPROVED BY: _____ DATE: _____		RECOMMENDED BY: _____ DATE: _____		DATE: _____	
PLANS PREPARED UNDER SUPERVISION OF JOSEPH TOGNOLI		DATE: _____		DATE: _____	
SPECIAL DISTRICT		SCALE		BENCHMARK	
		HORIZONTAL AS SHOWN			
		VERTICAL AS SHOWN			
REVISIONS	APPROVED	DATE	REFERENCES	DATE	



EXISTING  
CONDITION

SIMULATED VIEW

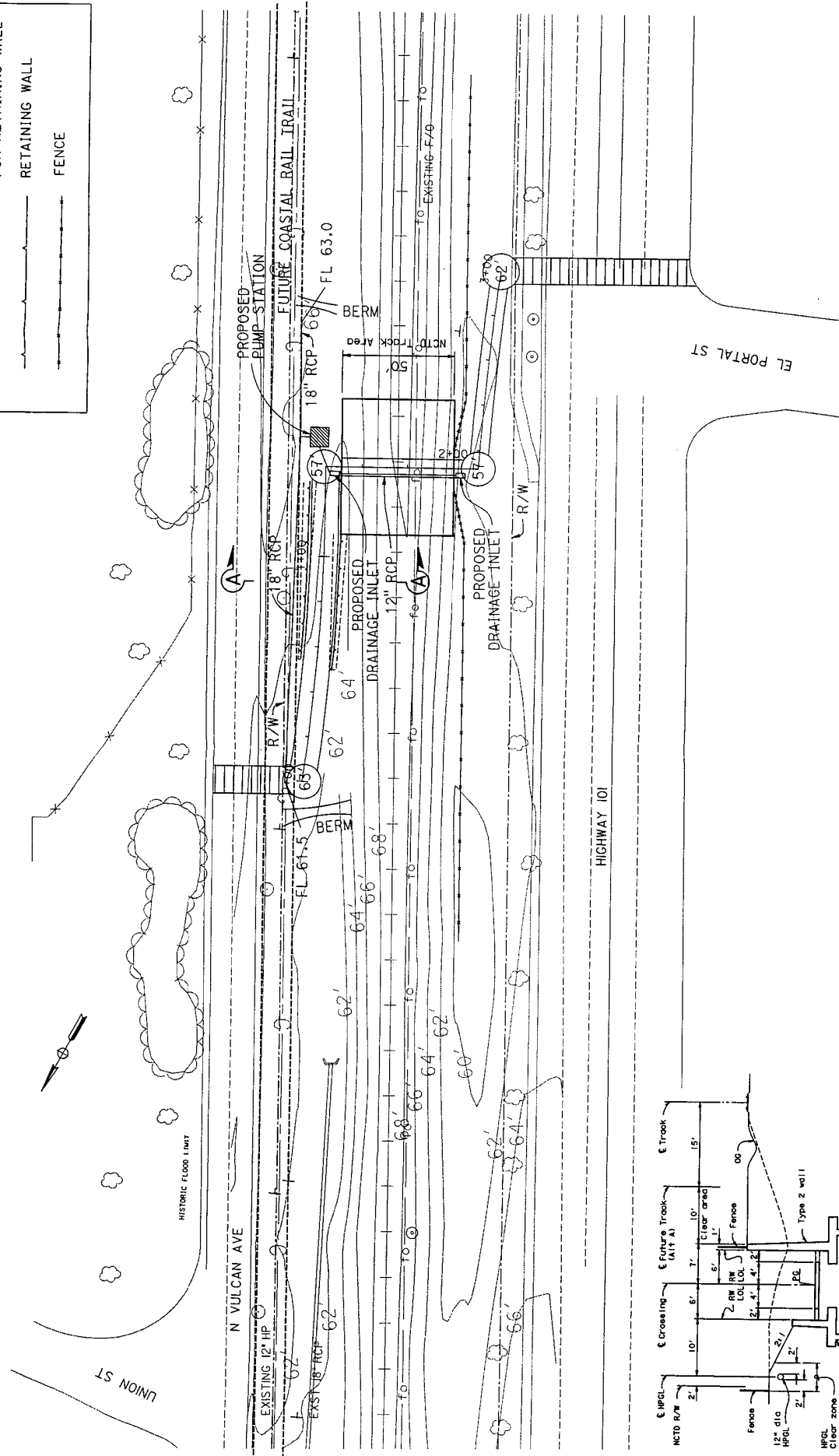
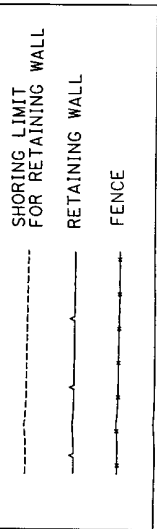
# Santa Fe - Simulation

Encinitas Grade Separated Undercrossing

EL PORTAL STREET





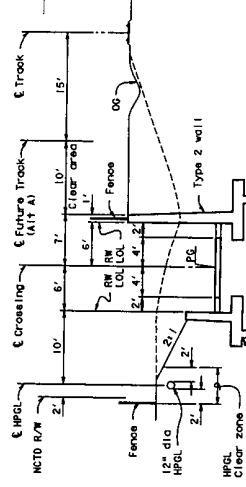


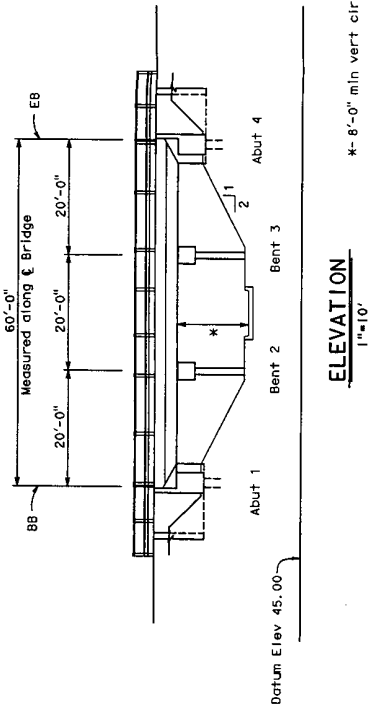
TYL INTERNATIONAL  
 2000 10th St. U. Santa Ana, CA 92705  
 949-451-2000

REVISIONS	APPROVED	DATE	REFERENCES	DATE	BENCHMARK	SCALE	SPECIAL DISTRICT	PLANS PREPARED UNDER SUPERVISION OF	APPROVALS	CITY OF ENCINITAS	ENGINEERING DEPARTMENT	DRAWING NO.
						HORIZONTAL AS SHOWN VERTICAL AS NOTED		JOSEPH TORNOLI CIVIL ENGINEER NO. 12345 EXP. 12/31/08	APPROVED: _____ BY: _____ DATE: _____ CHECKED: _____ BY: _____ DATE: _____	CITY OF ENCINITAS ENCINITAS GRADE SEPARATED PEDESTRIAN CROSSINGS EL PORTAL UNDERPASS / TUNNEL	ENGINEERING DEPARTMENT	0050-SI

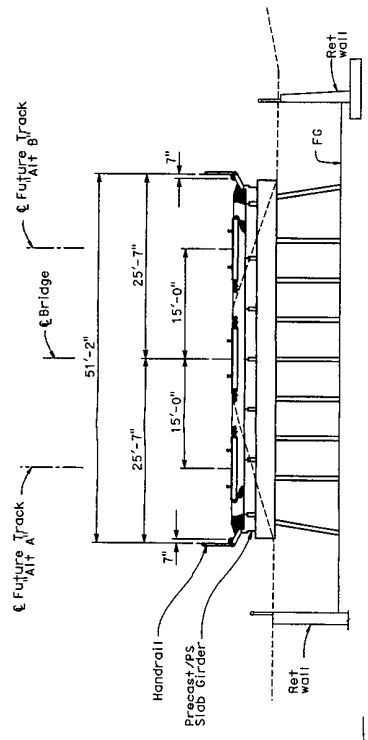
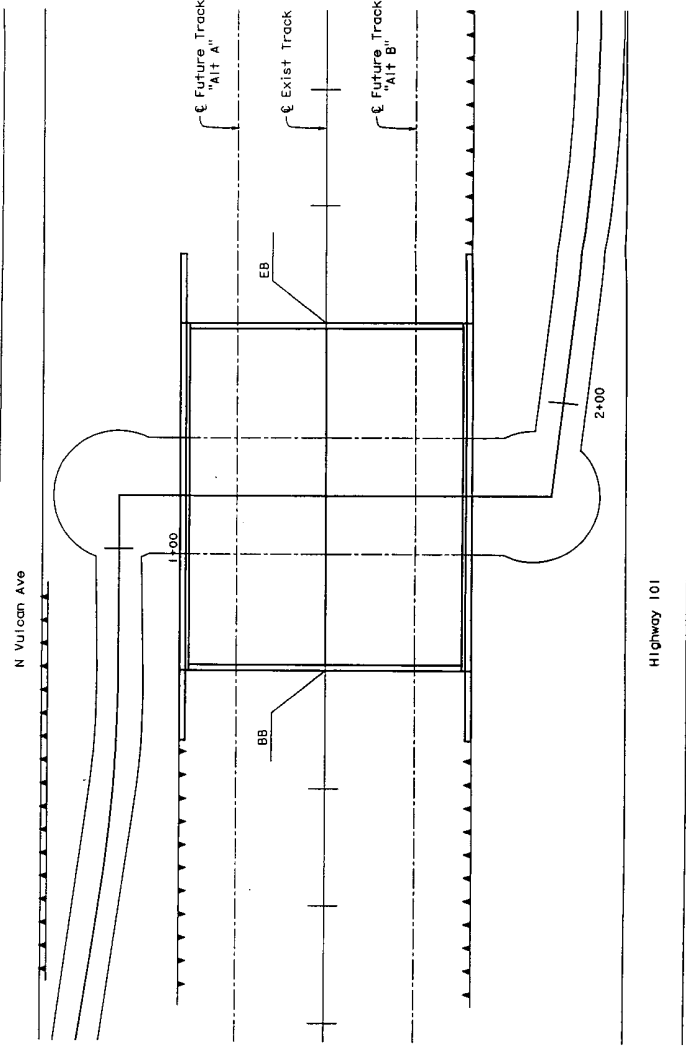
SCALE 1"=20'

SECTION A-A  
 No Scale





**ELEVATION**  
1"=10'



**TYPICAL SECTION**  
1/8"=1'-0"

**PLAN**  
1"=10'

<b>TYLLIN INTERNATIONAL</b> 2000 SHAW BLVD. SUITE 200, SAN DIEGO, CA 92108 619-594-7800 www.tyllin.com		<b>CITY OF ENCINITAS</b> PUBLIC IMPROVEMENT PLAN FOR ENCINITAS GRADE SEPARATED PEDESTRIAN CROSSINGS EL PORTAL UNDERPASS ADVANCE PLANNING STUDY		<b>ENGINEERING DEPARTMENT</b> DRAWING NO. <b>0050-SI</b> SHEET 1 OF 14	
<b>APPROVALS</b> APPROVED: _____ DATE: _____ RECOMMENDED: _____ DATE: _____ PERMITTED: _____ DATE: _____ LIFT BOSS: _____ DATE: _____		<b>PLANS PREPARED UNDER SUPERVISION OF</b> JOSEPH TOGHOLI ENGINEER		<b>SPECIAL DISTRICT</b>	
<b>BENCHMARK</b>		<b>SCALE</b> HORIZONTAL: 1"=10' VERTICAL: 1"=10'		<b>DATE</b>	
<b>REVISIONS</b>	<b>APPROVED</b>	<b>DATE</b>	<b>REFERENCES</b>	<b>DATE</b>	

**PRELIMINARY PLANT LEGEND:**

**LARGE TREES**

- Cupressus macrocarpa / Monterey Cypress
- Pinus halepensis / Aleppo Pine
- Pinus torreyana / Torrey Pine
- Quercus agrifolia / Coast Live Oak
- Quercus ilex / Holly Oak
- Tilia cordata / Small Tree
- Tilia cordata / Small Tree

**ACCENT TREES**

- Arbutus unedo / Strawberry Tree
- Erythrina humeana / Natal Coral Tree

**SHRUBS**

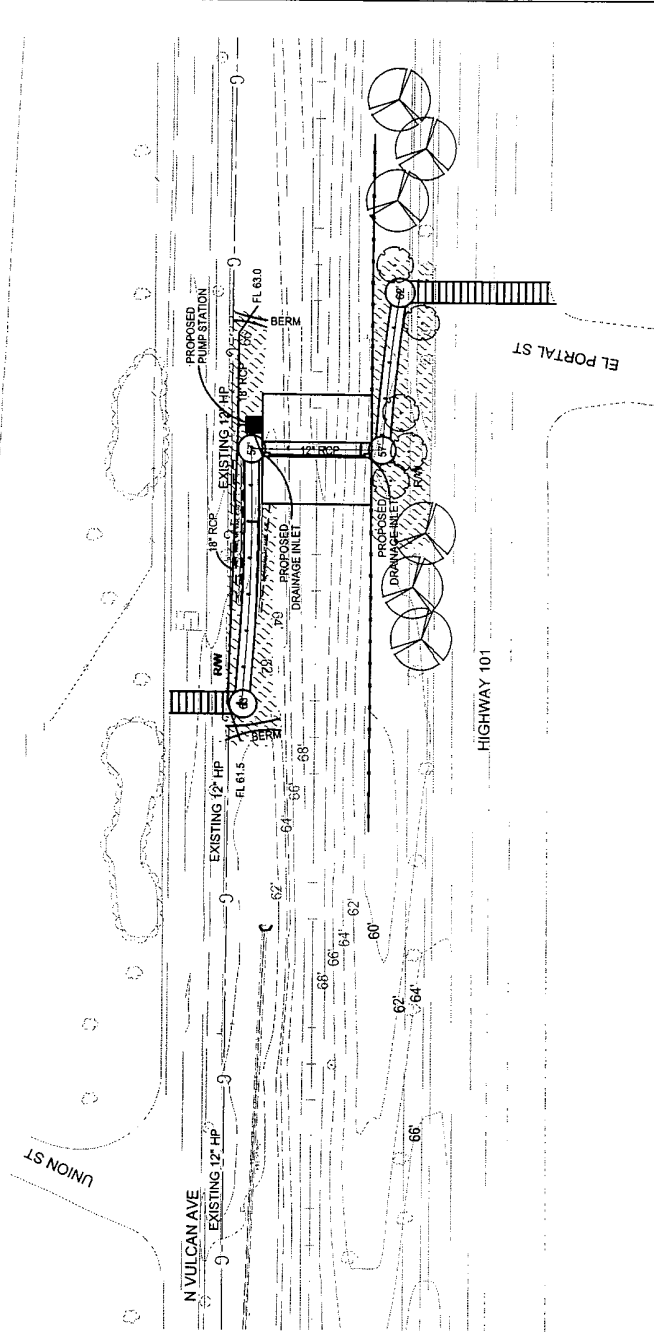
- Baccharis pilularis / Prostrate Coyote Bush
- Ceanothus gonzalesii / Point Reyes Ceanothus
- Ceanothus griseus horizontalis / Carmel Creeper
- Juniperus procera / Shore Juniper
- Lambertianthus productus / Purple Lopplant
- Vinca rosea / Madagascar Periwinkle
- Agave spp. / Century Plant
- Phormium tenax / New Zealand Flax
- Phormium tenax / New Zealand Flax
- Zoysia japonica / Korean Grass

**NOTES:**

- Plant palette taken from the city of emirates 'north 101 corridor specific plan'.

**THEME:**

History, Art, design and plantings for this crossing will be themed around historical references in emirates' development which have inspired the city.



SCHMIDT DESIGN GROUP, INC.  
 CIVIL ENGINEERING ARCHITECTURE INTERIOR DESIGN  
 ENCLINAS GRADE SEPARATED PEDESTRIAN CROSSINGS  
 LANDSCAPE CONCEPT PLAN  
 455 North Avenue, San Diego, CA 92101  
 www.schmidtgroup.com  
 TEL: (619) 444-7199 FAX: (619) 444-7199

**EL PORTAL**

REVISIONS	APPROVED	DATE	REFERENCES	DATE	BENCHMARK	SCALE	SPECIAL DISTRICT	PLANS PREPARED UNDER SUPERVISION OF	APPROVALS	CITY OF ENCINITAS ENGINEERING DEPARTMENT DRAWING NO.
						HORIZONTAL AS SHOWN VERTICAL AS SHOWN		JOSEPH TOKKOL DATE: 12/17/12 SCALE: 1/2"=1'-0"	BY: LARRY BOLOS DATE: _____ BY: PETER COSTA-REYES DATE: _____	0050-SI
										WORK PRODUCT NO. XXXXXXXXXXXXXXX
										SHEET 2 OF 14





EXISTING  
CONDITION

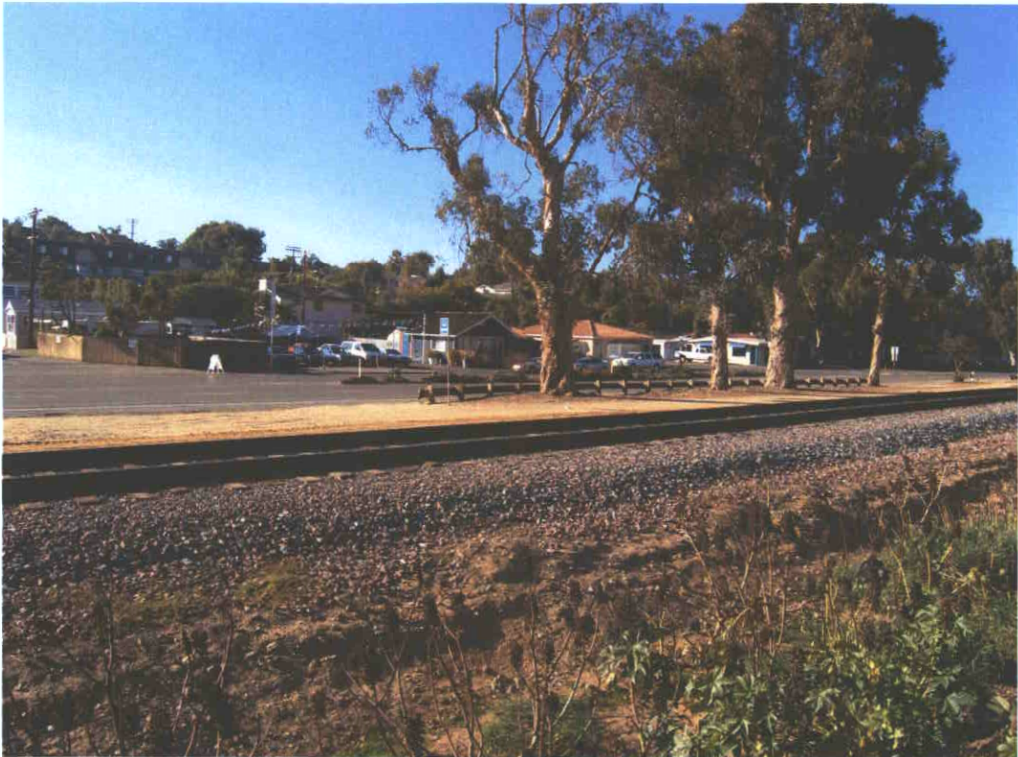


SIMULATED VIEW

# El Portal - Simulation

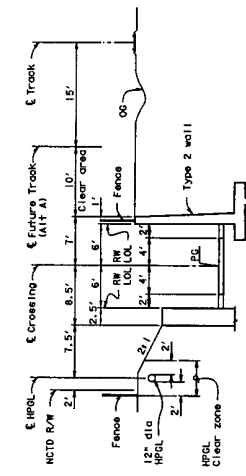
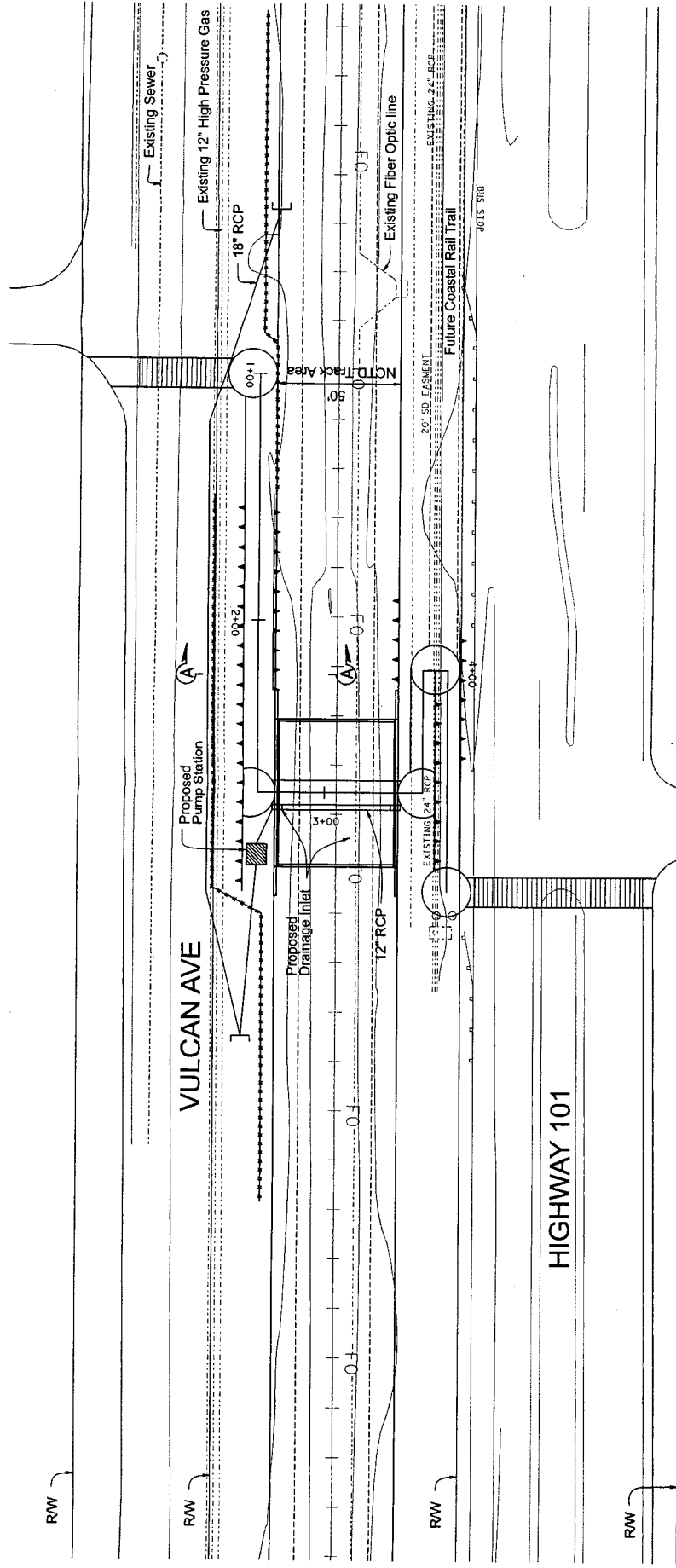
Encinitas Grade Separated Undercrossing

HILLCREST DRIVE

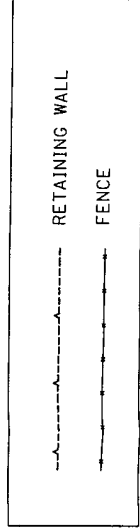




HILLCREST DR.



PLAN  
1" = 20'



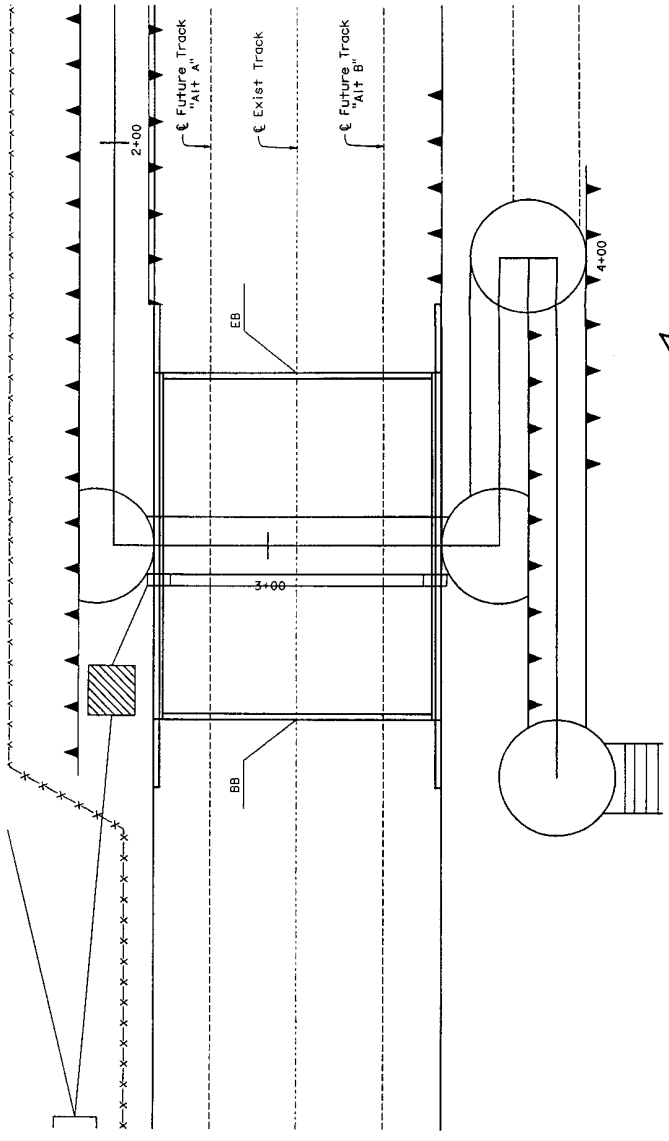
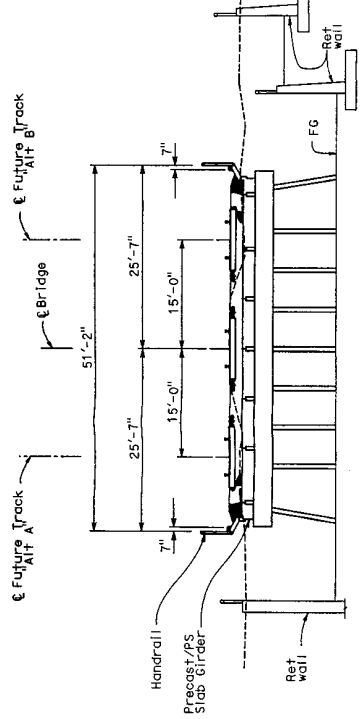
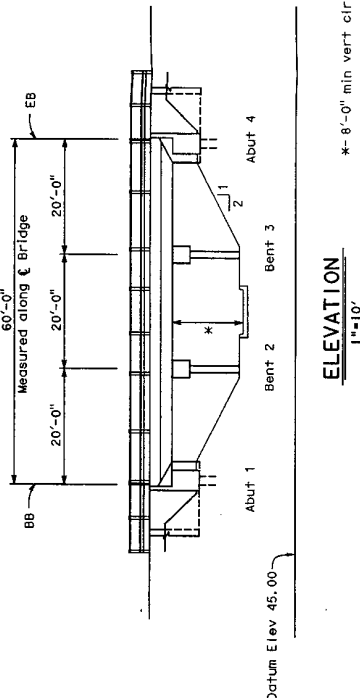
GRANDVIEW ST

HIGHWAY 101

SECTION A-A  
No. 50016

REVISIONS	APPROVED	DATE	REFERENCES	DATE	BENCHMARK	SCALE	SPECIAL DISTRICT	PLANS PREPARED UNDER SUPERVISION OF	APPROVALS	CITY OF ENCINITAS	ENGINEERING DEPARTMENT	DRAWING NO.
						HORIZONTAL AS SHOWN VERTICAL AS DRAWN		JOSEPH TOROJOLI	RECOMMENDED BY: LARRY BOALS DATE: _____ APPROVED BY: PETER COSTA-RODAS DATE: _____	CITY OF ENCINITAS	ENGINEERING DEPARTMENT	0050-SI
										ENCINITAS GRADE SEPARATED PEDESTRIAN CROSSINGS		
										HILLCREST-GRANDVIEW UNDERPASS		
										WWW.PUBLICWORKS.ENCINITAS.CA.GOV		
												SHEET 106 OF 114

**TYLINTNATIONAL**  
2000 CAMINO DE LA REVOLTA, SUITE 100, SAN DIEGO, CA 92108  
619-442-8800 www.tylin.com



SCALE

HORIZONTAL AS SHOWN  
VERTICAL AS SHOWN

SPECIAL DISTRICT

PLANS PREPARED UNDER SUPERVISION OF  
JOSEPH TORHOLI  
ENGINEER

DATE: 02/20/06

RECORDED

BY: [Signature] DATE: [Date]

APPROVED

BY: [Signature] DATE: [Date]

CITY OF ENCINITAS  
ENGINEERING DEPARTMENT

FIELD APPROVAL PLAN FOR  
ENCINITAS GRADE SEPARATED PEDESTRIAN CROSSINGS  
HILLCREST-GRANDVIEW UNDERPASS  
ADVANCED PLANNING STUDY

TYLINTNINTERNATIONAL  
2000 CAMINO DE LA SIERRA, SUITE 200, SAN MARCO, CA 92078  
951-261-8800  
www.tynl.com

DRAWING NO.  
0050-SI  
SHEET 1 OF 4

**PRELIMINARY PLANT LEGEND:**

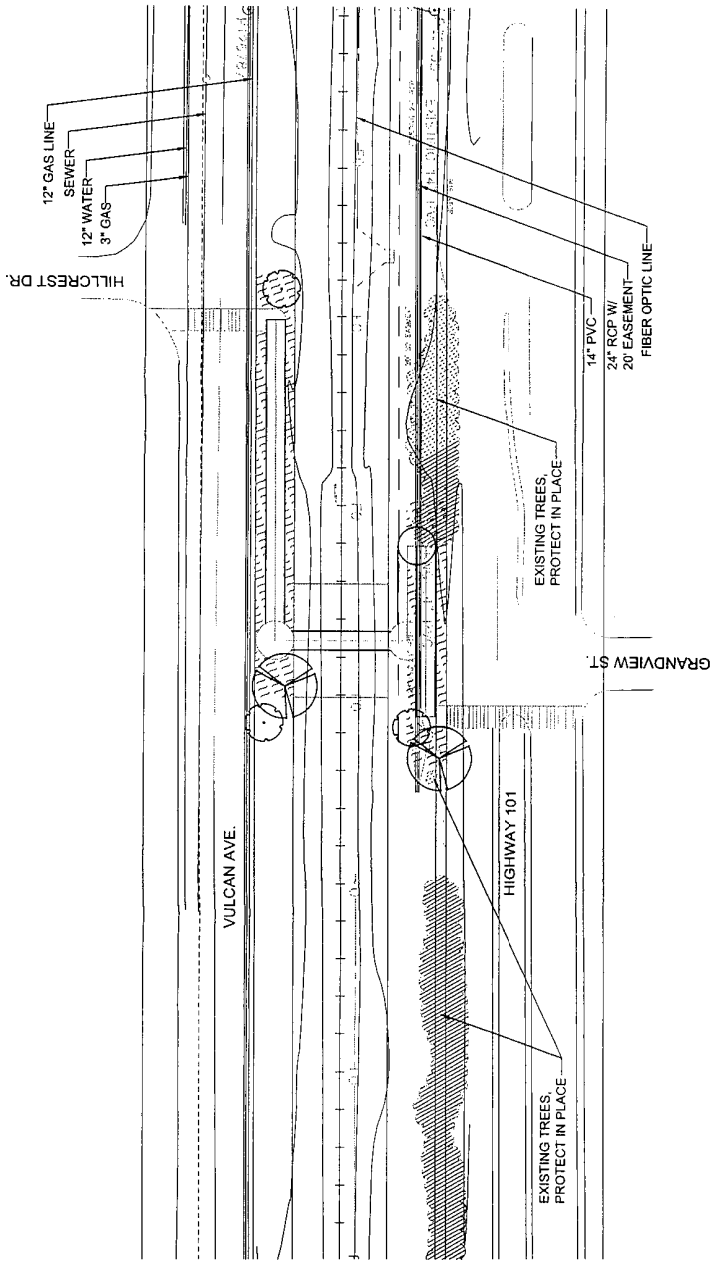
LARGE TREES	
	Cupressus macrocarpa / Monterey Cypress Pinus insignis / Jeffrey Pine Quercus agrifolia / Coast Live Oak Quercus ilex / Holly Oak Tristania conferta / Brisbane Box
ACCENT TREES	
	Arbutus unedo / Strawberry Tree Erythrina humeana / Natal Coral Tree
SHRUBS	
	Baccharis pilularis / Prostrate Coyote Bush Ceanothus glaucus / Point Reyes Ceanothus Ceanothus greggii / Carmel Creeper Scaevola spp. / Gazanias Lambertia nelsonii / New Zealand Flax Lampbrush Vinca rosea / Madagascar Periwinkle Agave spp. / Century Plant Abies vera / Abies Picea spp. / Dwarfs Picea spp. / Dwarfs Zoyesia japonica / Korean Grass

**NOTES:**

- Plant palette taken from the city of Encinitas "north 101 corridor specific plan."

**THEME:**

Flowers. A celebration of the floral industry in Encinitas.



SCHMIDT DESIGN GROUP, INC.  
1415 WILSON AVENUE, SUITE 100  
SAN MARINO, CA 91764  
TEL: 909.391.1111  
WWW.SCHMIDTGROUP.COM

TYLIN INTERNATIONAL  
2005 CAMINO DE LA SERRA, SUITE 204, SAN MARINO, CA 91766  
(917) 881-1850  
WWW.TYLIN.COM

**HILLCREST DRIVE UNDERPASS**

REVISIONS	APPROVED	DATE	REFERENCES	DATE	BENCHMARK	SCALE	SPECIAL DISTRICT	PLANS PREPARED UNDER SUPERVISION OF	RECOMMENDED	APPROVED	CITY OF ENCINITAS ENGINEERING DEPARTMENT DRAWING NO.
						HORIZONTAL AS SHOWN VERTICAL AS SHOWN		JOSEPH TOONOU	BY: LEVY BOGGS DATE: 12/27/06	BY: RALPH COSTA-ROBLES DATE: 12/27/06	00550-SI
									LANDSCAPE CONCEPT PLAN		
									ENCINITAS GRADE SEPARATED PEDESTRIAN CROSSINGS		
									WORK PROJECT NO. XXXXXXXXXXXXXXXX		





EXISTING  
CONDITION



SIMULATED VIEW

# Hillcrest Drive - Simulation

Encinitas Grade Separated Undercrossing